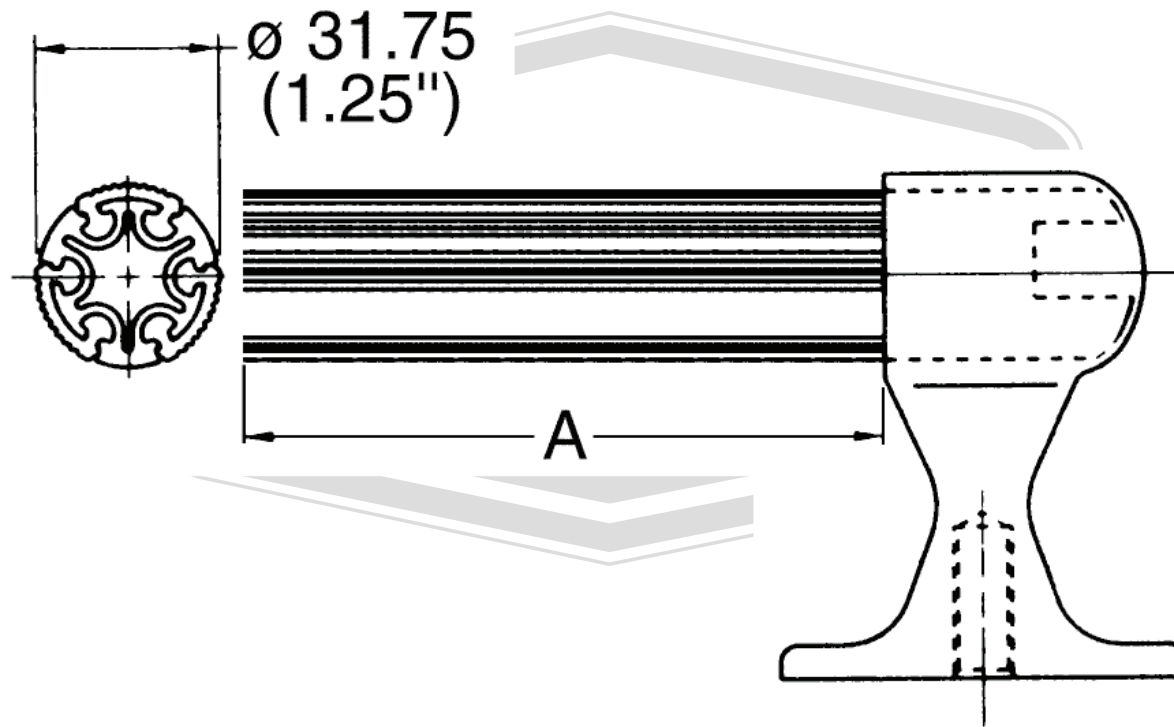


APPROVAL - CUSTOMER NAME & SIGNATURE

DATE



ALLEGIS

1-866-378-7550

MATERIAL:

Aluminum

DRAWING NO. :

4000-4 AL

FINISH:

REV.:

1:1

DATE:

6/12/2019